

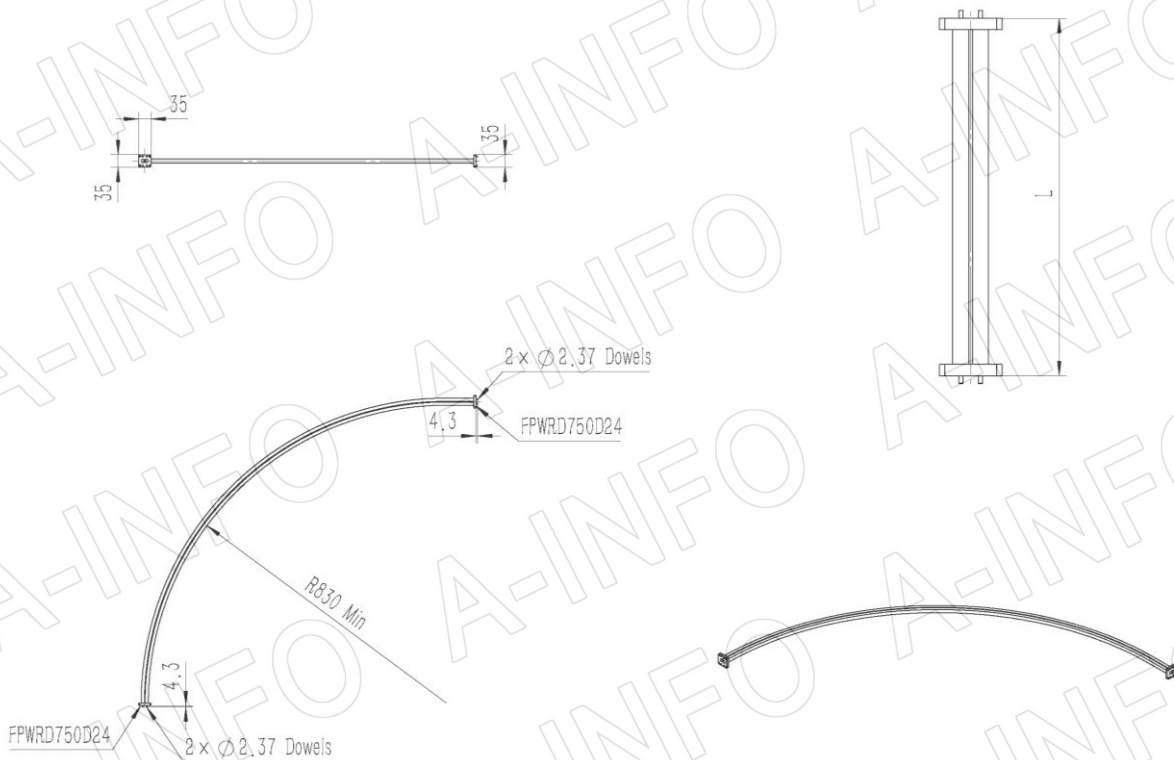
For reference only. See data sheet for the detailed specifications.

Technical Specification



EIA WRD	WRD750
Frequency Range(GHz)	7.5 – 18.0
Attenuation(dB/unit pc)	0.8 Max.
VSWR	1.50:1 Max.
Max. Twist(deg/m)	110
Min. E-Bend Radius(mm)	356
Min. H-Bend Radius(mm)	830
Flange	FPWRD750D24
Jacket	Rubber
Operating Temp.(°C)	-55 ~ +85
Material	Cu
Length(mm)	305
Net Weight(Kg)	0.19 Around

Outline Drawing (Size: mm)



AINFO Inc.

Page 1 of 3

China(Beijing): Tel: (+86) 10-6266-7326,
China(Chengdu): Tel: (+86) 28-8519-2786,
USA: Tel: (+1) 949-639-9688,

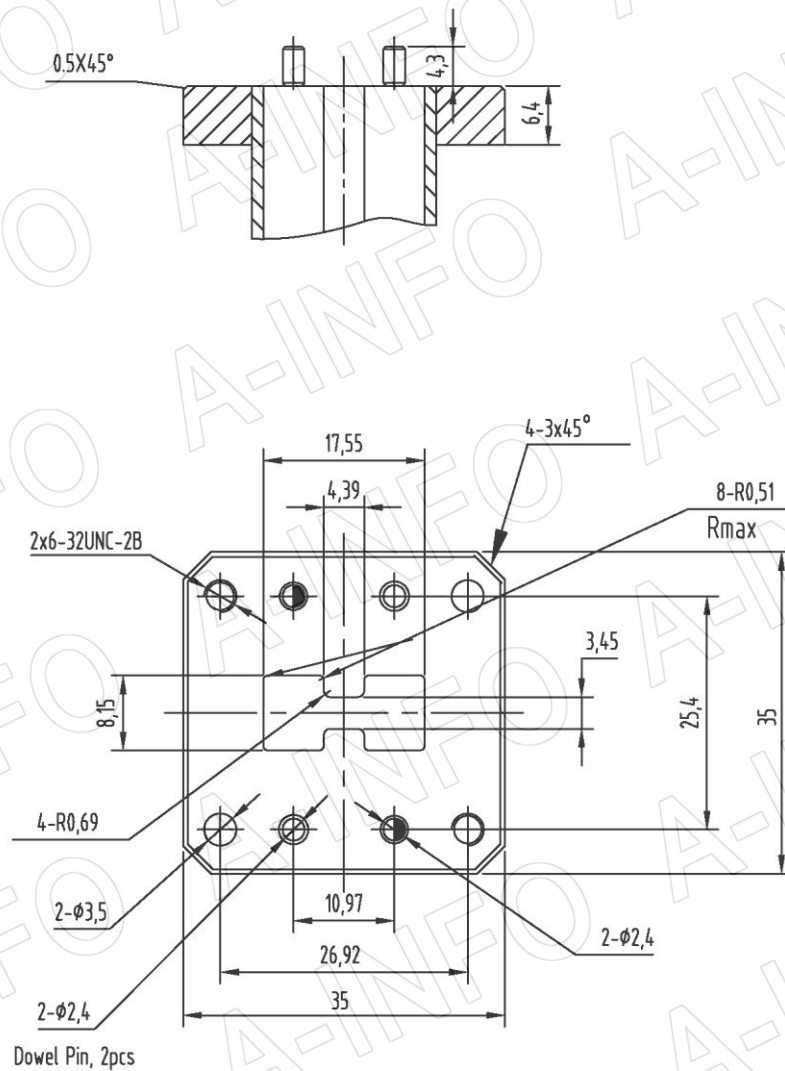
(+86) 10-6266-7327 Fax: (+86) 10-6266-7379
(+86) 28-8519-3044 Fax: (+86) 28-8519-3068
(+1) 949-639-9608 Fax: (+1) 949-639-9670

Website: www.ainfoinc.com
Email: sales@ainfoinc.com

Flange Drawing (Size: mm)

FPWRD750D24

(With two through mounting holes
and two screws holes)



AINFO Inc.

Page 2 of 3

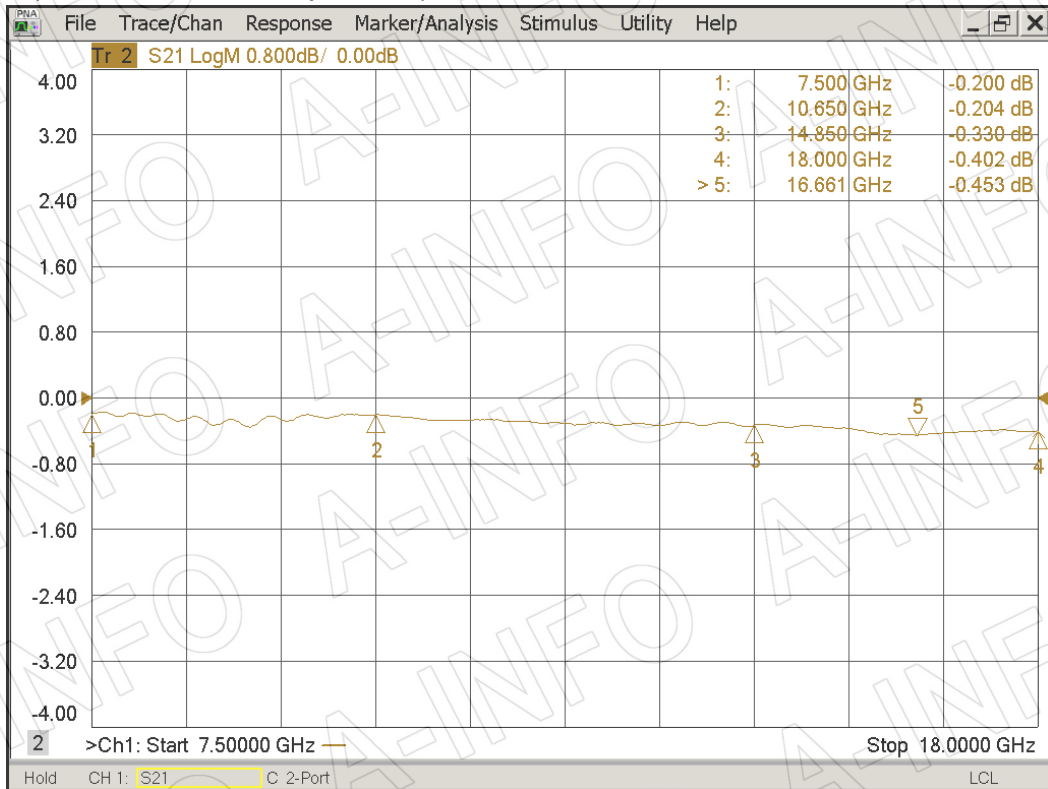
China(Beijing): Tel: (+86) 10-6266-7326,
China(Chengdu): Tel: (+86) 28-8519-2786,
USA: Tel: (+1) 949-639-9688,

(+86) 10-6266-7327 Fax: (+86) 10-6266-7379
(+86) 28-8519-3044 Fax: (+86) 28-8519-3068
(+1) 949-639-9608 Fax: (+1) 949-639-9670

Website: www.ainfoinc.com
Email: sales@ainfoinc.com

Test Results

Attenuation (I.L.: 0.4530dB/unit pc Max.)



VSWR

